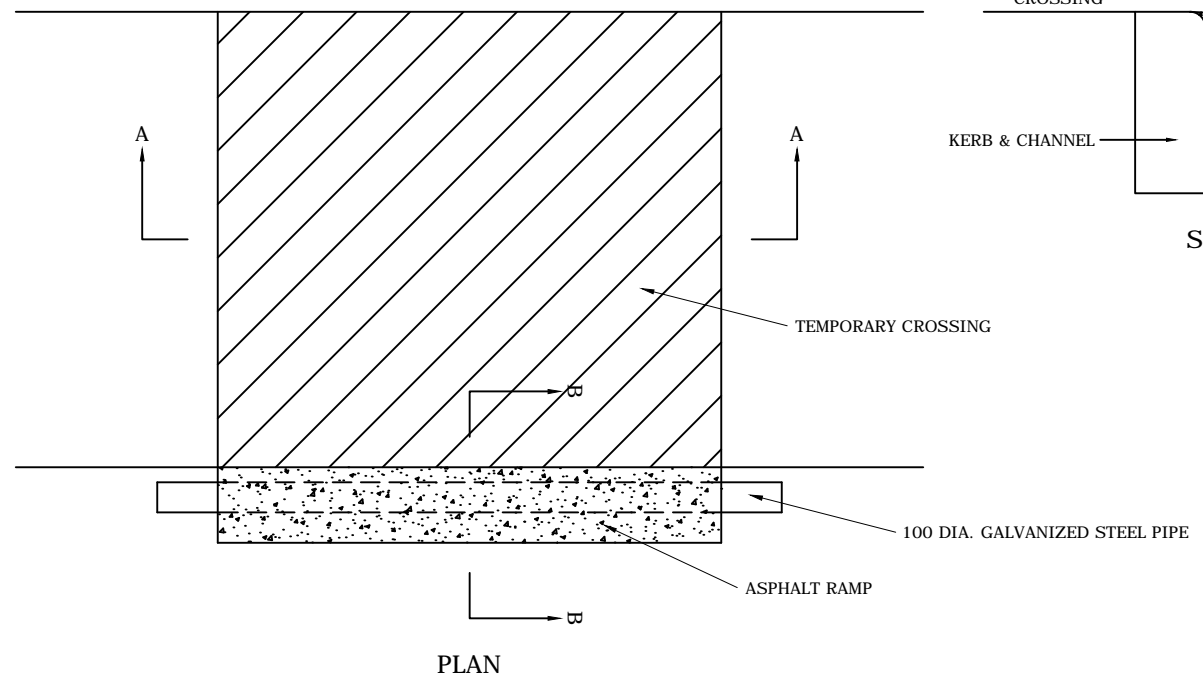
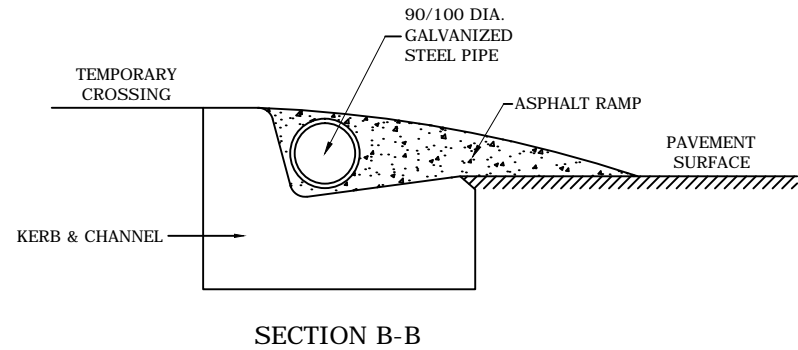


- NOTES:
1. TEMPORARY CROSSING OF TIMBER CONSTRUCTION, TO BE INSTALLED, MAXIMUM DURATION SIX (6) WEEKS.
 2. TEMPORARY CROSSINGS IN EXCESS OF SIX (6) WEEKS TO BE OF SEMI-PERMANENT CONSTRUCTION.
 3. OTHER ARRANGEMENTS, AS AGREED WITH COUNCIL REPRESENTATIVE.



NOTES:

F				
E				
D				
C	FINAL	MDH	AN	17/07/14
B	FINAL	NP	AN	24/04/08
A	FINAL	AA	LL	26/11/06

No. Description: Drawn: Checked: Date:

REVISIONS:

DRAWN: NP
 CHECKED: AN
 AUTHORISED: AN

DATE PLOTTED: DATE PLOTTED
 SCALE: 1:25



DRAWING TITLE:
 TEMPORARY CROSSING

DRG. No. SD 4104 REVISION: C