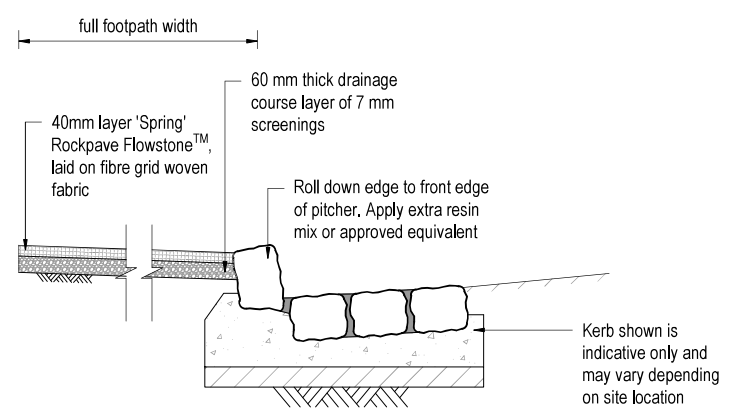


TYPICAL CONCRETE KERB



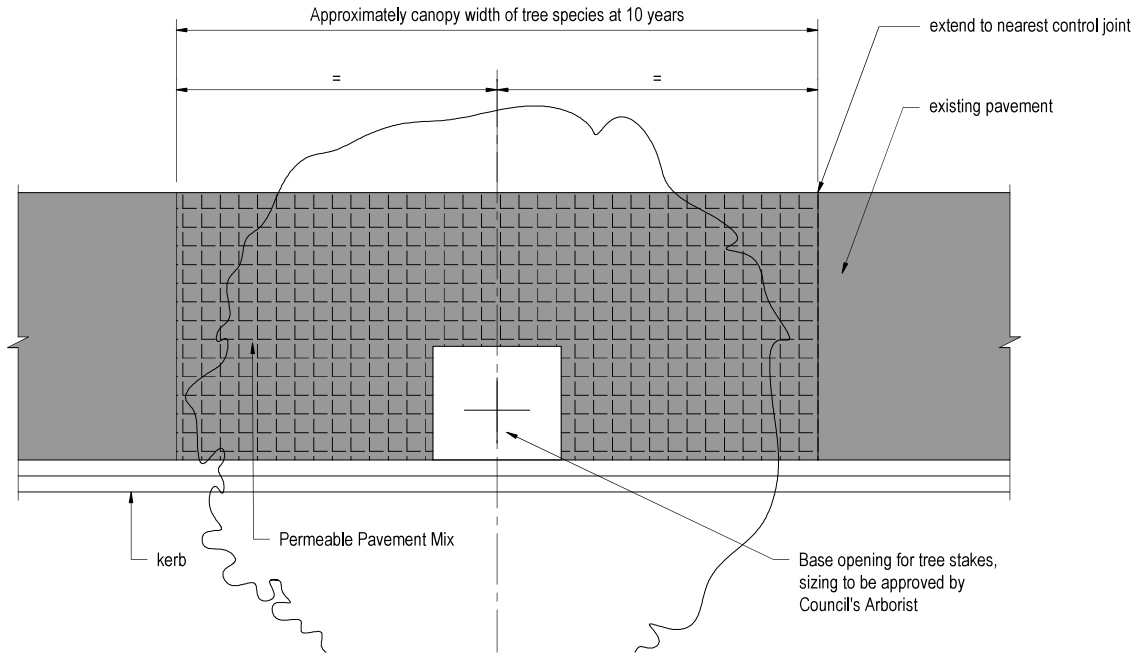
TYPICAL BLUESTONE PITCHER KERB

APPLICATION

FlowStone™ is hand trowel applied by trained and accredited applicators. Dispense mixed material. An asphalt rake, lute or gauge rake may be used to assist an even spread of material. Material should be trowel compacted to an even consistency and level. The trowel should be regularly wiped clean to avoid resin build up and to achieve best results. At this stage dust with glass for anti-slip finishes. Repeat process to completion, refer to Flowstone technical data sheet for surface preparation, application conditions and cure time.

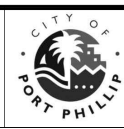
NOTES

1. All dimensions are in millimetres unless noted otherwise.
2. For existing footpath - strip asphalt footpath and crushed rock base. Reinstate with a compacted 7-10mm screenings base 60mm thick, 40mm 'Spring' Rockpave Flowstone™, laid on fibre grid woven fabric or similar approved product, laid in-situ on top of screenings.
3. Adjusted pits and service valves to be flush with new Permeable Pavement Mix surface level.
4. Footpath needs to be closed for 3 days to allow for curing of Permeable Pavement Mix. Contractor must provide temporary ramp access to properties and appropriate traffic management for safe pedestrian access if alternative access is not available.
5. Where Permeable Pavement Mix treatment is used for tree root affected footpaths, preparation works including trimming and removal of tree roots are to be done in consultation with Council's Arborist.
6. The current recommended permeable paving material is known as 'Spring Rockpave Flowstone'™ and is available from Asphalt Print Paving at info@asphaltprint.com.au
7. Option for removable 130mm height aluminum tree surround to trunk. Remove tree surround once trunk has matured and within 100mm of tree surround, backfill with additional Permeable Pavement Mix in consultation with Council's Arborist
8. Option for filling Permeable Pavement Mix to edge of existing tree trunk, works to be done in consultation with Council's Arborist
9. All dimension for sizing around the trees to be in consultation with Council's Arborist



APPROVED FOR USE		FEB 2023
No	Revision	Date

Disclaimer:
The authors and sponsoring organisations shall have no liability or responsibility to the user or any other person or entity with respect to any liability, loss or damage caused or alleged to be caused, directly or indirectly, by the adoption and use of these Standard Drawings including, but not limited to, any interruption of service, loss of business or anticipatory profits, or consequential damages resulting from the use of these Standard Drawings. Persons must not rely on these Standard Drawings as the equivalent of or a substitute for, project-specific design and assessment by an appropriately-qualified professional.



DRAWING NOT TO SCALE		Drawing Title	PERMEABLE PAVEMENT PEBBLE MIX PAVING
Approved	Project Services		
Date	FEB. 2023	Original Size	A3
		Drawing No:	CPP3107
		Rev:	A