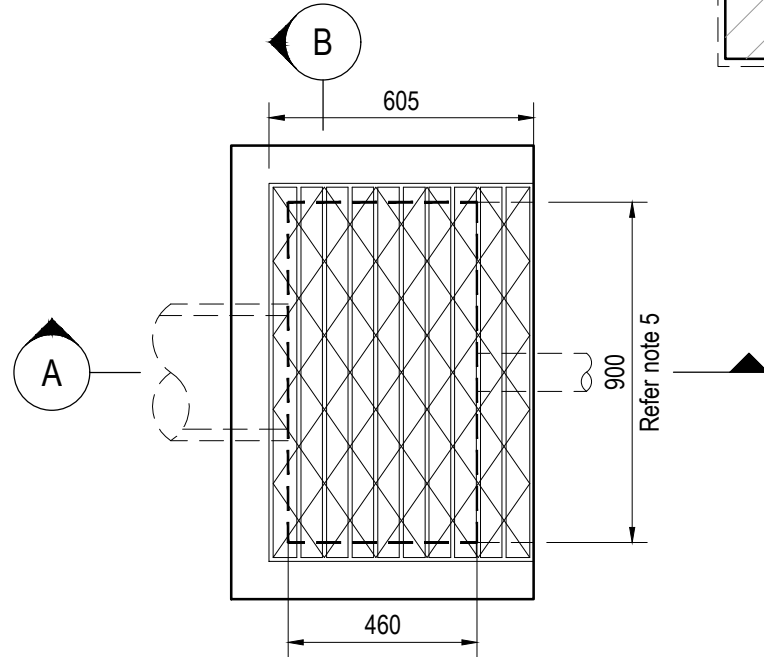


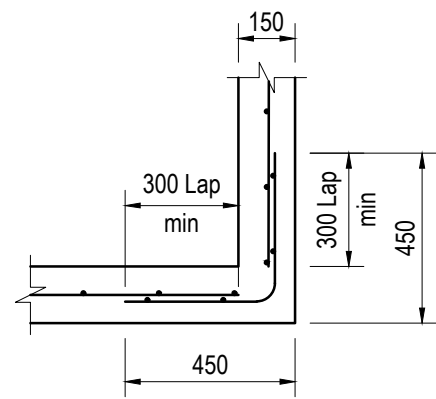
**NOTE**

Raingarden section shown indicatively only.  
Refer to project drawings for details.

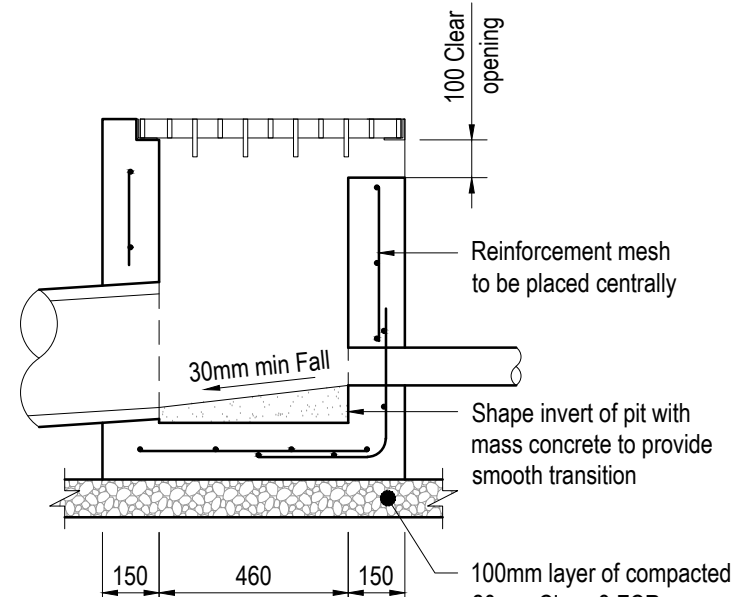
**RAINGARDEN SECTION**



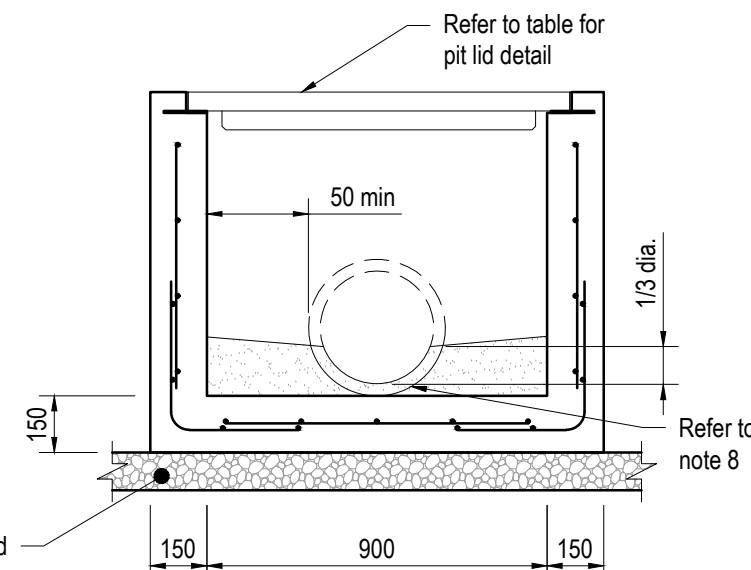
**PLAN**



**PLAN VIEW  
CORNER DETAILS**



**A SECTION**



**B SECTION**

LOCATION	PIT COVER	CLASS
Raingarden	R&S Grating Eco-Weaved SG-H-MSG-EW9060 or equivalent approved by Council	D (AS3996 - 210kN)

**PIT NOTES:**

- Drawing in millimetres unless noted otherwise.
- Reinforcement to be SL92 with 300mm minimum lap length and placed centrally. Corner return reinforcement may be fabric or equivalent bars.
- Concrete strength to be 32MPa (40MPa in marine environments) at 28 days as approved by Council and compliant with AS1379.
- Pits deeper than 1000mm shall be fitted with step irons. Refer to CPP2110.
- Maximum 450mm diameter pipe for 900mm wide pit.
- Minimum fall across pit base to be 30mm.
- Grout: 2 parts sand, 1 part cement and sufficient water to produce mix of suitable consistency.
- Shape pit invert to one third outlet pipe diameter.

**Disclaimer:**

The authors and sponsoring organisations shall have no liability or responsibility to the user or any other person or entity with respect to any liability, loss or damage caused or alleged to be caused, directly or indirectly, by the adoption and use of these Standard Drawings including, but not limited to, any interruption of service, loss of business or anticipatory profits, or consequential damages resulting from the use of these Standard Drawings. Persons must not rely on these Standard Drawings as the equivalent of, or a substitute for, project-specific design and assessment by an appropriately qualified professional.



DRAWING NOT TO SCALE

Approved  
Project Services

Date  
Dec. 2020

Drawing Title  
**RAINGARDEN  
SIDE ENTRY PIT**

Original Size  
**A3** Drawing No: **CPP2302**

Rev: **A**

A APPROVED FOR USE

DEC 2020